

**FAMILY PRACTICE TABLE**



**8890 Family Practice Table**

**FEATURES**

- Built-in, pull-out, step stool slides out for patient access and slides back in out of the way when not in use
- Pneumatic backrest adjusts from either side
- Pull-out leg rest that extends the length of the patient area
- Storage access from either side so work flow is a full 360° around the table
- Two drawer storage at the foot end of the table
- Optional pull-out pan for even greater versatility and expanded performance
- Available in wood tone and solid color laminates. Tables may be specified all one color or in smart looking two-tone
- Nearly two dozen colors of upholstery, five of which have coordinating laminate colors
- 5-year, limited warranty
- Two-position stirrups pull out to allow the physician to perform pelvic examinations and then fold neatly out of sight when not in use
- Top is easily field replaceable
- 400 lbs. load capacity under normal use (181.43 kg)

8890	length	width	height
	58"/72" extended	28 1/2"	32"
	147.32 cm/182.88 cm extended	72.39 cm	81.28 cm
step stool	16 7/8"	19 1/2"	7 3/4"
	42.86 cm	49.53 cm	19.68 cm



Pull-Out Laminate Leg Rest



2 Drawer Storage



2-Position Stirrups



Paper Roll Storage



Airlift Backrest



Both Sides Access

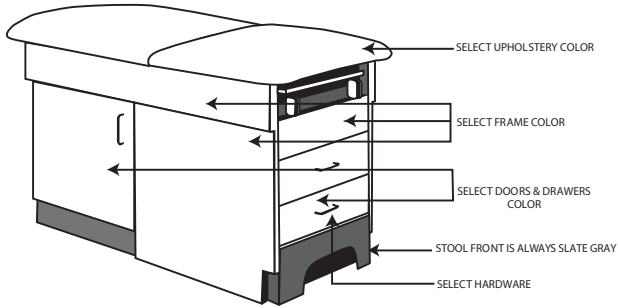


Pull-Out Step Stool



099 Optional Pull-Out Pan

## COLOR SELECTOR



### Selecting Colors is Easy.

Because you can mix and match upholstery, laminates and hardware, you must select four code numbers when ordering.

**FIRST:** Select the upholstery color. That code number will start with a "3".

**SECOND:** Select a frame color. That code number will start with a "1".

**THIRD:** Select a color for the doors and drawers. That number will start with a "2".

**FOURTH:** Select your hardware. That number will start with a "5".

Even if your table is all the same color, **FOUR CODE NUMBERS MUST BE SELECTED WHEN ORDERING.**

**Door and Drawer Pulls:** Select silver or black wire pulls. If no pulls are selected, Silver Wire pulls will be used.

### LAMINATES

	Frame	Doors & Drawers
	1NT	2NT
Natural		
	1DC	2DC
Dark Cherry		
	1MP	2MP
Maple		
	1TO	2TO
Tenino Oak		
	1AP	2AP
Mellow Apple		
	1DW	2DW
Driftwood		
	1SG	2SG
Slate Gray		
	1GR	2GR
Gray		
	1FS	2FS
Fossil		
	1AB	2AB
Aztec Blue		

### UPHOLSTERY

#### BLUES/PURPLE



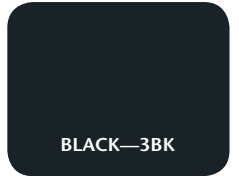
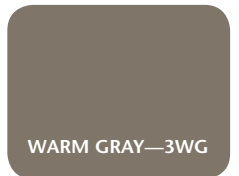
#### GREENS



#### EARTHTONES



#### GRAYS



### DOOR & DRAWER PULLS



800-441-9131 • 717-848-3519

Toll-Free Fax 866-522-1233 • Fax 717-843-5871

www.clinton-ind.com

NOTE: All monitors and printing devices render color differently, actual colors may vary.

Actual samples are available in most cases.